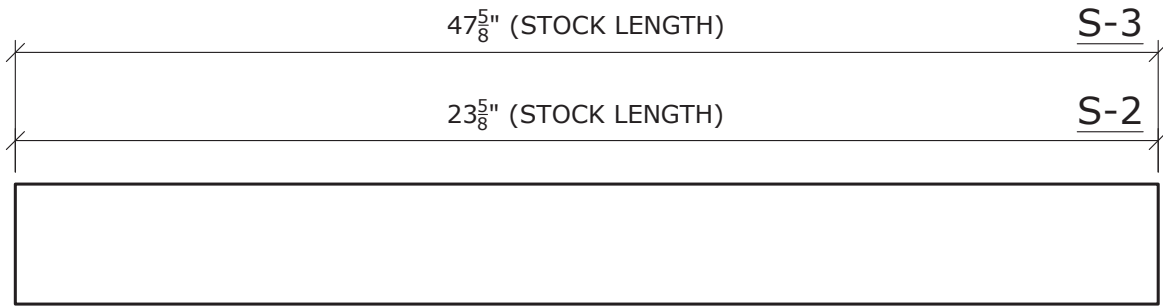
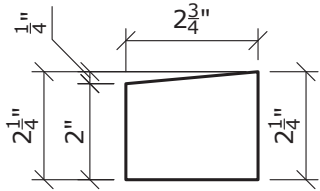


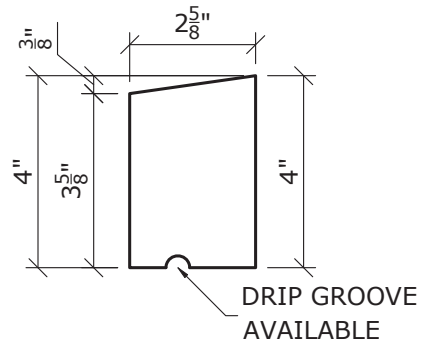
# SILLS



· PLAN ·



· SECTION ·  
S-2



· SECTION ·  
S-3



1950 RAVINE ROAD  
 KALAMAZOO, MI 49004  
 PHONE: 269.344.7690  
 FAX: 269.344.7693  
<http://www.superiorprecast.com/>

