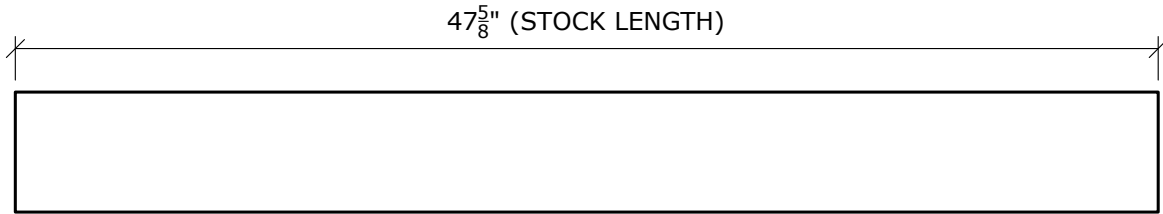
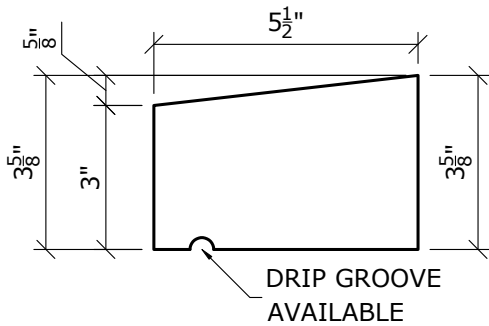


SILLS

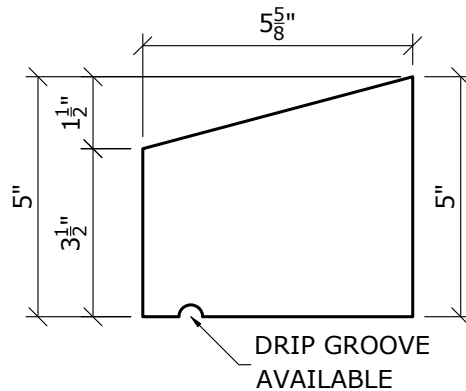


· PLAN ·



· SECTION ·

S-1



· SECTION ·

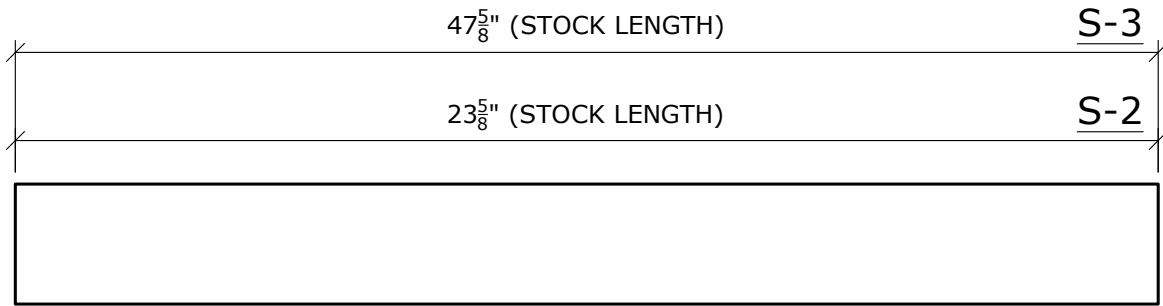
S-4



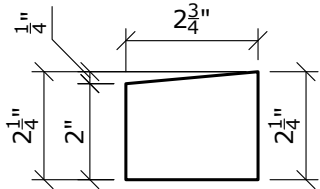
1950 RAVINE ROAD
KALAMAZOO, MI 49004
PHONE: 269.344.7690
FAX: 269.344.7693
<http://www.superiorprecast.com/>



SILLS

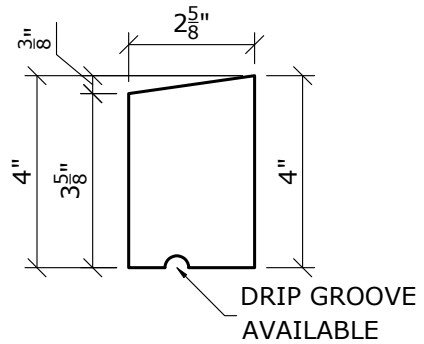


· PLAN ·



· SECTION ·

S-2



· SECTION ·

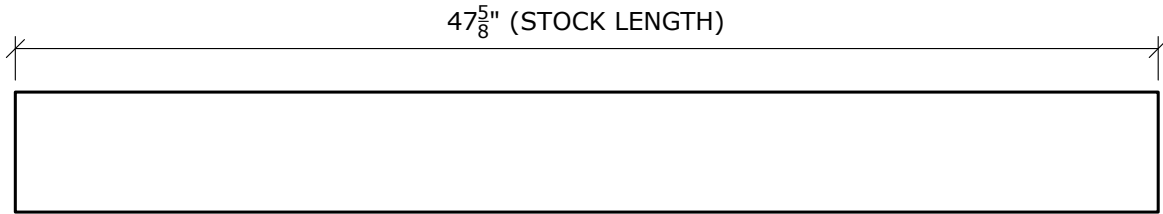
S-3



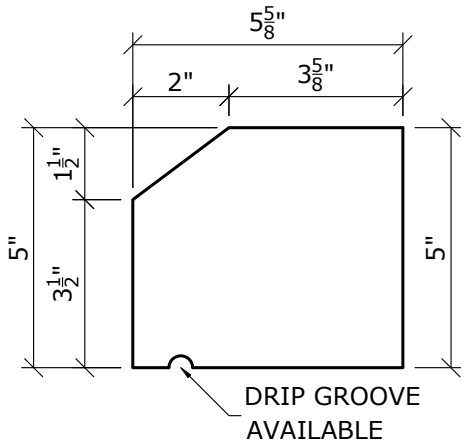
1950 RAVINE ROAD
KALAMAZOO, MI 49004
PHONE: 269.344.7690
FAX: 269.344.7693
<http://www.superiorprecast.com/>



SILLS

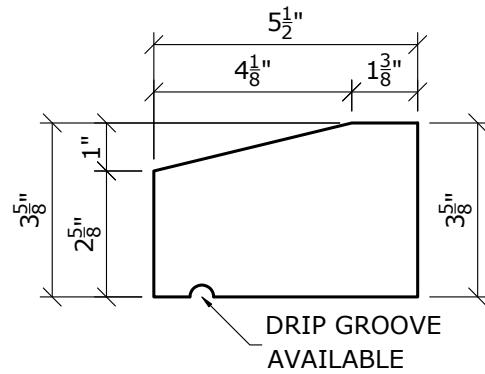


· PLAN ·



· SECTION ·

S-5



· SECTION ·

S-7

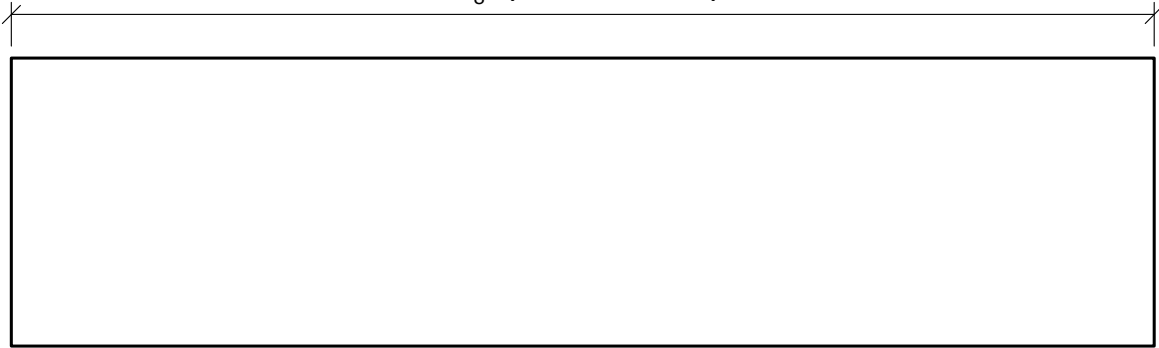


1950 RAVINE ROAD
KALAMAZOO, MI 49004
PHONE: 269.344.7690
FAX: 269.344.7693
<http://www.superiorprecast.com/>

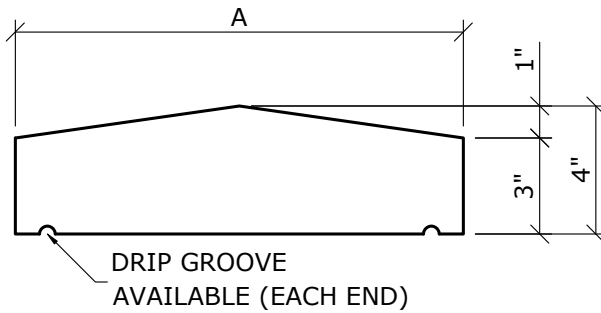


COPING

47⁵/₈" (STOCK LENGTH)

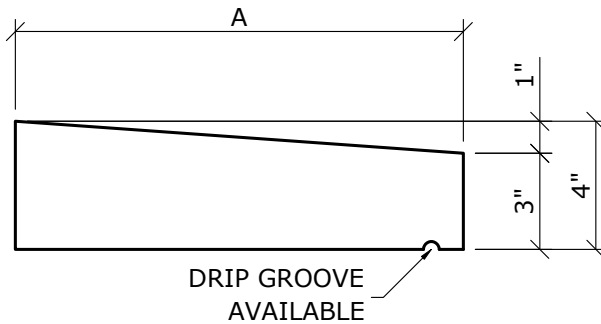


· PLAN ·



· SECTION ·

WC



· SECTION ·

SL

PRODUCT NUMBER	A (WIDTH)
WC3408	8"
WC3410	10"
WC3412	12"
WC3414	14"
WC3416	16"
WC3418	18"
WC3420	20"
WC3422	22"
WC3424	24"
WC3426	26"
WC3428	28"
WC3430	30"
WC3432	32"

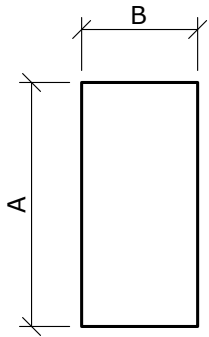
PRODUCT NUMBER	A (WIDTH)
SL3408	8"
SL3410	10"
SL3412	12"
SL3414	14"
SL3416	16"
SL3418	18"
SL3420	20"
SL3422	22"
SL3424	24"
SL3426	26"
SL3428	28"
SL3430	30"
SL3432	32"



1950 RAVINE ROAD
 KALAMAZOO, MI 49004
 PHONE: 269.344.7690
 FAX: 269.344.7693
<http://www.superiorprecast.com/>



BANDING

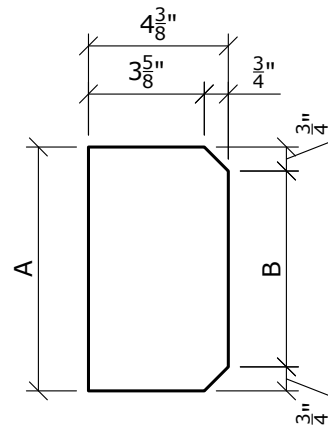


· SECTION ·

B

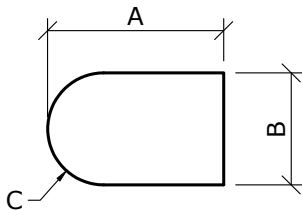
PRODUCT NUMBER	A (HEIGHT)	B (WIDTH)	STOCK LENGTH
B-1	2 15/16"	3 5/8"	47 5/8"
B-2	5"	3 5/8"	47 5/8"
B-3	7 5/8"	3 5/8"	47 5/8"
B-4	10 1/4"	3 5/8"	47 5/8"
B-6	15 5/8"	3 5/8"	47 5/8"
B-21	2 15/16"	2"	23 5/8"
B-22	5"	2"	23 5/8"
B-23	7 5/8"	2"	23 5/8"
B-24	10 1/4"	2"	23 5/8"
B-26	15 5/8"	2"	23 5/8"
B-43	7 5/8"	4 5/8"	47 5/8"

PRODUCT NUMBER	A (HEIGHT)	B (HEIGHT)
CB-3	7 5/8"	6 1/8"
CB-4	10 1/4"	8 3/4"
TYPE CB BANDING PROVIDED IN 47 5/8" STOCK LENGTHS		



· SECTION ·

CB



· SECTION ·

R

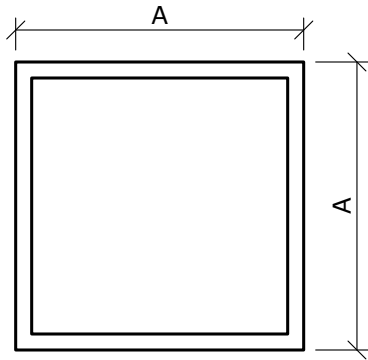
PRODUCT NUMBER	A (WIDTH)	B (HEIGHT)	C (RADIUS)
R-1	5 1/2"	3 1/2"	1 3/4"
R-3	7 5/8"	7 5/8"	3 13/16"
TYPE R BANDING PROVIDED IN 47 5/8" STOCK LENGTHS			



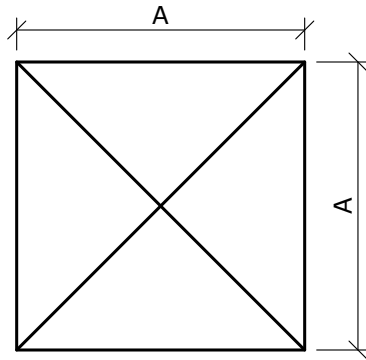
1950 RAVINE ROAD
 KALAMAZOO, MI 49004
 PHONE: 269.344.7690
 FAX: 269.344.7693
<http://www.superiorprecast.com/>



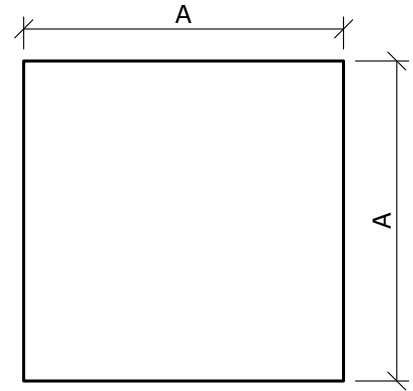
PIER CAPS



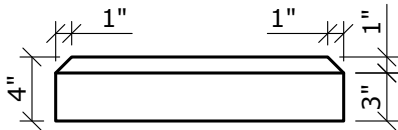
· PLAN ·



· PLAN ·

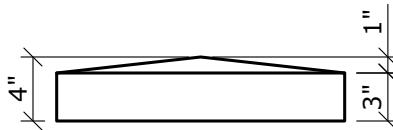


· PLAN ·



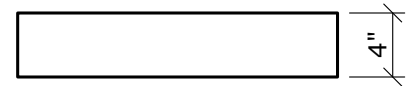
· ELEVATION ·

CC



· ELEVATION ·

FC-3



· ELEVATION ·

FC-4

PRODUCT NUMBER	A (WIDTH & LENGTH)
CC-22	22"
CC-26	26"

PRODUCT NUMBER	A (WIDTH & LENGTH)
FC-3410	10"
FC-3416	16"
FC-3418	18"
FC-3420	20"
FC-3422	22"
FC-3424	24"
FC-3426	26"
FC-3428	28"
FC-3430	30"
FC-3432	32"
FC-3434	34"
FC-3435	35"
FC-3440	40"

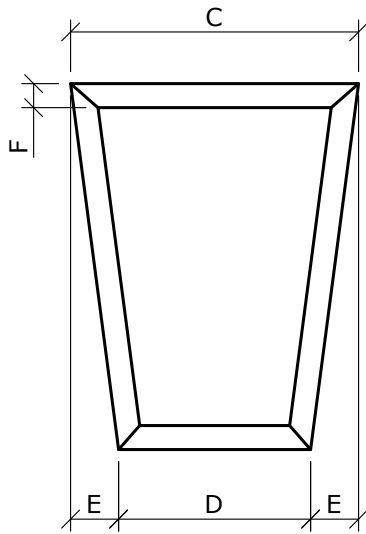
PRODUCT NUMBER	A (WIDTH & LENGTH)
FC-410	10"
FC-416	16"
FC-418	18"
FC-420	20"
FC-422	22"
FC-424	24"
FC-426	26"
FC-428	28"
FC-430	30"
FC-432	32"
FC-434	34"
FC-435	35"
FC-440	40"



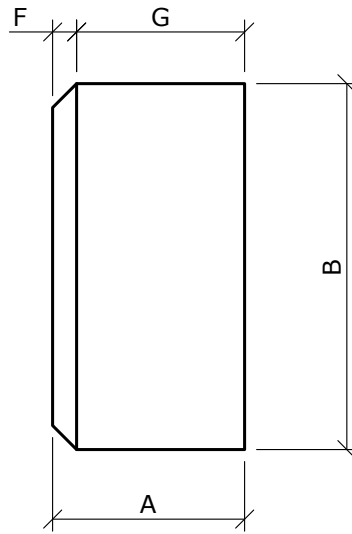
1950 RAVINE ROAD
 KALAMAZOO, MI 49004
 PHONE: 269.344.7690
 FAX: 269.344.7693
<http://www.superiorprecast.com/>



KEYSTONES



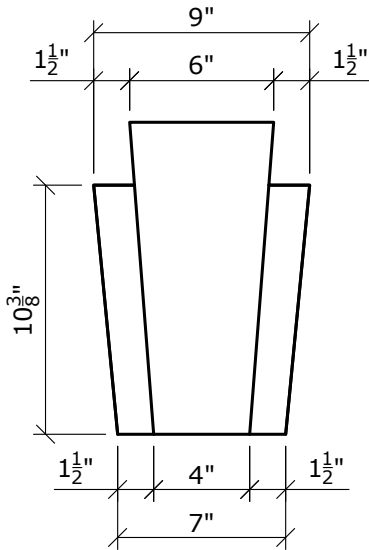
· ELEVATION ·



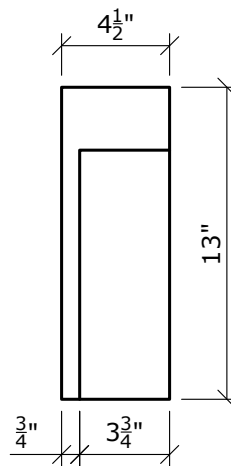
· SIDE VIEW ·

KC

PRODUCT NUMBER	A (DEPTH)	B (HEIGHT)	C (WIDTH)	D	E	F	G
KC-2	4"	6"	5"	3"	1"	1/2"	3 1/2"
KC-3	4"	7 5/8"	6"	4"	1"	3/4"	3 1/4"
KC-4	4 1/2"	10 1/4"	8"	4"	2"	1"	3 1/2"
KC-5	4 1/2"	13"	9"	5"	2"	1"	3 1/2"



· ELEVATION ·



· SIDE VIEW ·

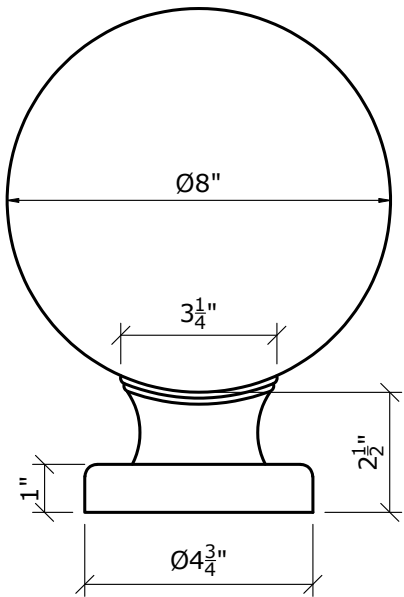
KB-5



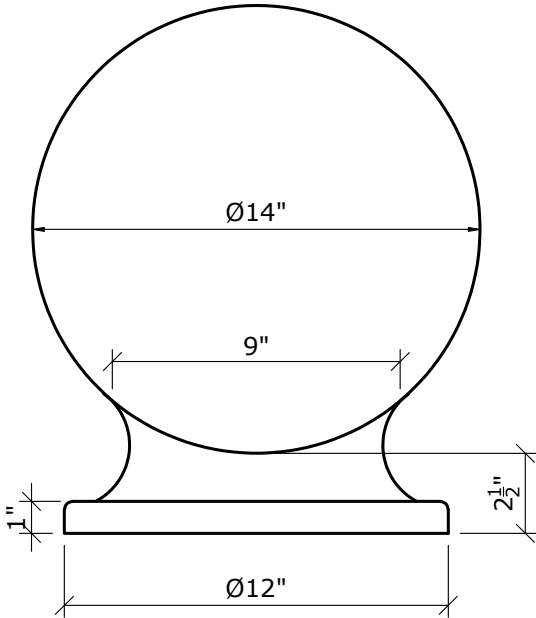
1950 RAVINE ROAD
 KALAMAZOO, MI 49004
 PHONE: 269.344.7690
 FAX: 269.344.7693
<http://www.superiorprecast.com/>



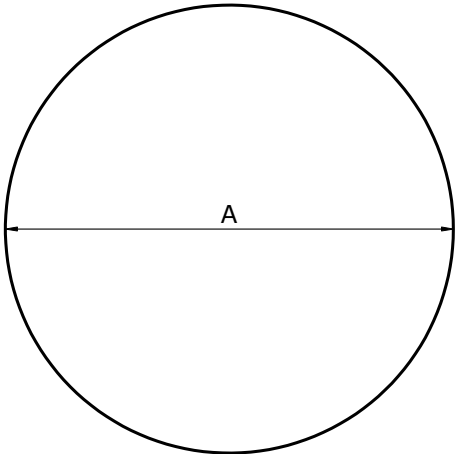
BALL CAP / SPHERES



BA8



BA14



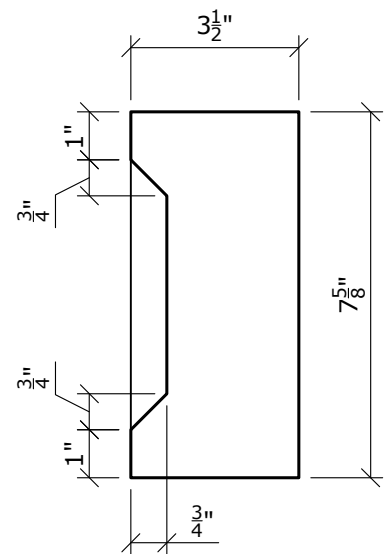
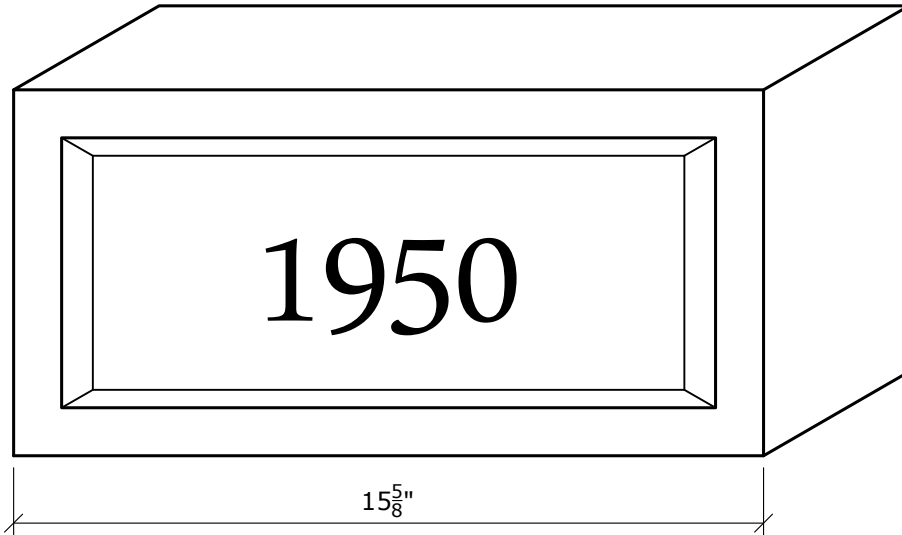
PRODUCT NUMBER	A (WIDTH)
BA8	8"
BA14	14"
BA16	16"
BA24	24"



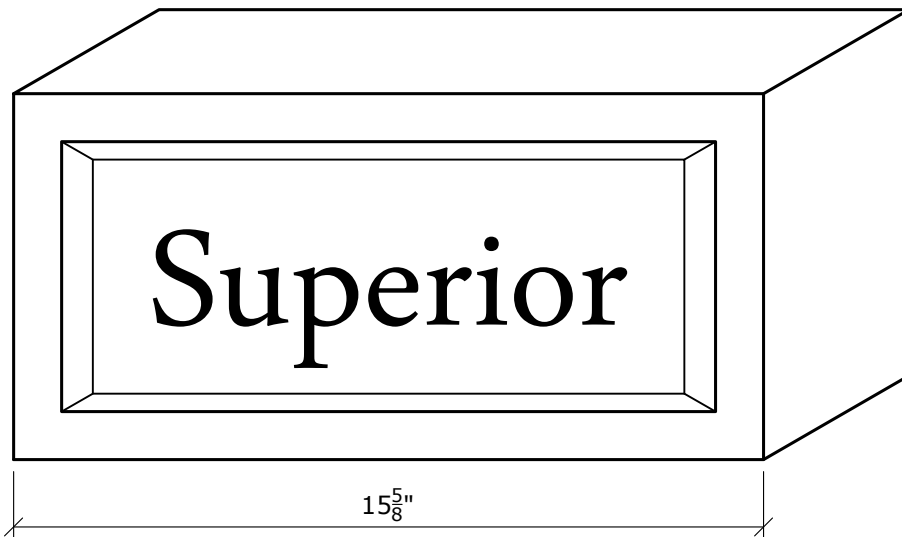
1950 RAVINE ROAD
 KALAMAZOO, MI 49004
 PHONE: 269.344.7690
 FAX: 269.344.7693
<http://www.superiorprecast.com/>



ADDRESS BLOCK



· SECTION ·



1950 RAVINE ROAD
KALAMAZOO, MI 49004
PHONE: 269.344.7690
FAX: 269.344.7693
<http://www.superiorprecast.com/>

